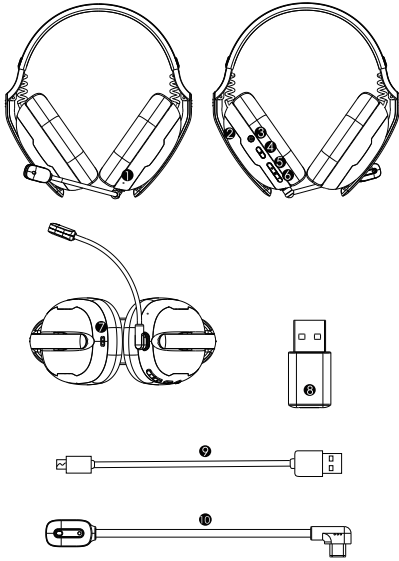


Overview:



- ❶ **Built-in microphone**
- ❷ **LED indicator**
- ❸ **Power Button**
Long press: Power on/off ;
Short press: Play/Pause (accept an incoming call/hang up a call)
- ❹ **M Button**
Short press: switch on/off microphone;
Long press: mode switch on wireless modes (Bluetooth/Gaming);
Double click: Surround Sound/Stereo (Gaming mode only);
Triple click: Switch on/off the LED light
- ❺ **Volume + Button**
Short/Long press: Volume +;
Double click: Next track
- ❻ **Volume - Button**
Short/Long press: Volume -;
Double click: Previous track
- ❼ **Charging port:** Type-C
- ❽ **USB dongle**
- ❾ **USB-A to USB-C charging cable**
(used as wired version too)
- ❿ **Detachable Microphone**

Specifications:

Transmission Rate	2M/s
Transmission Delay	Less than 30ms
Transmission Distance	10 meters
Working Frequency	ISM Band (2.4Ghz)
Operating Voltage	3.7V
Battery Specification	Polymer Lithium battery 450mA
Working Mode	Bluetooth, Gaming(2.4G), Wired
Play Time	40h for Bluetooth mode with LED off; 20h for Gaming mode with LED off; 29h for Bluetooth mode with LED on; 13h for Gaming mode with LED on;
Speaker Diameter	40mm
Sensitivity(S.P.L)	103dB
Impedance	18±15% Ω
Frequency Response	20Hz-20KHz
Microphone style	Built-in Mic and a Detachable Mic
Mic Sensitivity	-40±3dB
Rated Output Power	20mW
Maximum Output Power	30mW
Charging Time	2.5 hours
Charging Port	Type-C
Charging Voltage	5V
Headphone Weight	207g
Charging Cable Length	1.5m

Package Contents

- . Wireless headset 1PC
- . Nano dongle 1PC
- . Detachable Microphone
- . User Manual 1PC
- . USB-A to USB-C charging cable 1.5m 1PC

Connecting

Gaming Mode(2.4G)-Factory Default:

1. Turn on the headset.
2. Plug the USB dongle into your computer's free USB port.
3. It will connect immediately, the flashing green LED light will turn to 7-colors breathing mode.

Bluetooth Mode(for Music):

1. If you want to change to Bluetooth mode, then just long press "M Button" in 3 seconds and switch to Bluetooth mode. The LED light will turn to flashing Blue color.
2. Open your Bluetooth device, search and connect to "HSD-G802" broadcasting ID, pair and connect it accordingly. Connected or disconnected, you'll hear the voice prompts.
3. Just in seconds, it will pair and connect it automatically. When pairing, the indicator is flashing and will turn to 7-colors breathing status. connected. You'll enjoy your gaming or music time freely.
4. If you want to disconnect, just quick click "Power Button" in 5 times.

Wired Mode (for Gaming):

1. If you want to change to wired mode, must change to Gaming mode firstly, then plug the attach the charging cable, it will be to Wired mode automatically.
2. Please note, only under Gaming mode, plug cable and enter into Wired mode; And if the headset is working on Gaming mode, once plug the charging cable, it will be priority to change to Wired mode automatically.

Note:

- . Check your sound/audio settings so that you have the "output" set to wireless audio.
- . Keep the distance between headset and dongle less than 10 meters, otherwise it will be disconnected.
- . When power on, the headset will be the last mode-2.4G or Bluetooth which you used before power off.

Microphone

The headset with built-in microphone.
Just short press the "M Button" to switch on or off the microphone

and you'll hear the voice prompt "Mic on" or "Mic off".
When gaming, you can consider to plug the attached detachable microphone which will ensure you have better experience in e-sport games.

Charging

- . Recommend to charge it full the battery when you receive the headset before use.
- . Connect the included charging cable into a USB port of device or a USB ADAPTER.
- . Full charging takes about 2.5 hours.
- . The "LED indicator" will be flashing red when charging. Once it's full, the "LED indicator" will turn to off.

Power

- . When the battery is around 10% of power capacity, you'll hear the voice prompts "Battery Low" to remind you to charge the headset.
- . Automatic shutdown will also occur when the headset has not been paired for 10 minutes.
- . It will also shutdown if you are connected but haven't had any sound for 10 minutes in wireless mode.

LED Light

In order to save power and work long time, please kindly consider to switch off the LED light. Just triple click the "M Button" to switch off the LED light. If you want to switch on the LED light, just triple click the "M Button" again.

Power ON/OFF

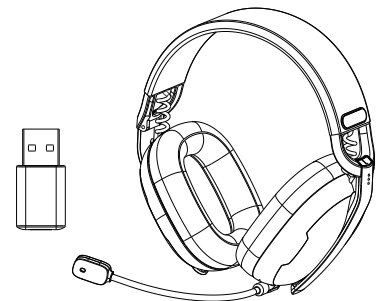
- . Turn on the headset by long press "Power Button" in 3 seconds. You'll hear the voice prompt "Gaming mode" or "Bluetooth mode" and the LED light will light accordingly.
- . Turn off the headset by long press "Power Button" in 3 seconds. You'll hear the voice prompt "Power Off" and the LED light will turn to off.

Operating Systems

Works with PS4, PS5, most Windows operating systems, most Mac OS.
For Bluetooth mode, suitable for Android, IOS and all Bluetooth device.

USER MANUAL

For Triple Mode Wireless Headset



LIVEY G300BT
Wireless Headset

